

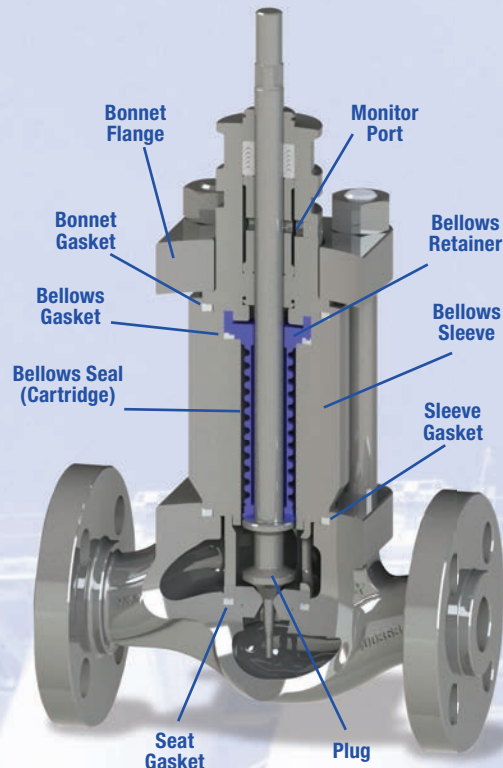
Features & Benefits of our Zero Emissions Technology

Description

In addition to a variety of effective fugitive emissions packing configurations, including: live-loading and special materials, Trimteck offers its unique Guard Master™ Metal Bellows Seal on the Optimux OpGL Globe Control Valve to ensure reliable compliance with stringent environmental and safety regulations.

Advantages

- High quality, modular construction
- Built to withstand high pressures and temperatures
- Extraordinarily long service life
- Can be retrofitted to valves of all sizes and pressure classes
- Sized and manufactured to specific customer requirements



Materials

- Inconel standard
- Available in Hastelloy Variations
- Full traceability



Robust materials and precision machining ensure long life cycles with zero emissions

Construction

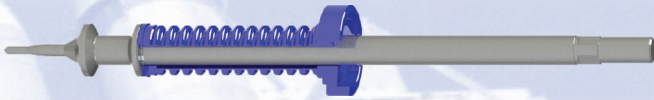
- Modular
- Tight tolerances
- Few weld-points
- Monitoring Port available on bonnet for simple and frequent testing

Life Cycle

- Up to 6 million cycles
- -380°F to 1,120°F Operating Temperatures
- Up to 1,300psi Operating Pressures

Quality Assurance

We at Trimteck are obsessed with Quality, and – according to our ISO 9001:2008 System – every control valve that leaves our facility is tested on digital benches to ensure that it exceeds the expectations and requirements of the customer.



About Trimteck

Trimteck is a NASA VDB-approved, ISO 9001-2008-certified U.S. company (Registration No. 2012-98243) with over thirty years of experience engineering, manufacturing, and marketing high-quality, cost-effective flow, pressure, and temperature control solutions and equipment for critical processes, and our products are currently helping customers safely improve quality, optimize throughput, and reduce emissions and energy costs across an array of industries in more than 42 countries.

We manufacture a comprehensive line of control valves – and variety of actuators, positioners, severe service trims, and other accessories – that our applications engineers and representatives use to solve even the most complex flow control problems quickly and economically.



Trimteck is committed to environmental sustainability and energy efficiency.

Products in compliance with:

ASME B16.34
ANSI/ISA-75.05.01-2000 (R2005)
PED 92/93/EC Module H1

TRIMTECK Headquarters USA Manufacturing Operations

Trimteck LLC
12461 NW 44th Street
Coral Springs, FL 33065

Phone – (954) 753-5545
Fax – (954) 753-5561
Web – www.trimteck.com
Email – info@trimteck.com

For more information, contact: